



JISTECH JOURNAL OF INFORMATION SCIENCE AND TECHNOLOGY
PRINT ISSN 2085-6245
E-ISSN 2963-0533

VOLUME 11 NOMOR 2 Oktober 2022

- Penerapan Identifikasi Citra untuk Deteksi Anomali Ruang Kelas On New Normal
Yury Nurmaning, Abdul Zaki Fakar, Eriss Savi
- Rancang Bangun Aplikasi Resep Kuliner Berbasis Android Menggunakan Kodular
Fitri Ayu Suci, Irena P. P. Nabila, Lisa Ferdinanda Mena
- ARCHPELAGO - Augmented Reality (AR) Pengujian Tindakan - Tindakan Pahlawan Nasional
Indonesia Dengan Metode Image Tracking Berbasis Android
Yohana Alvin Ichsan, Irena P. P. Nabila, Teresa Lisa Nurhaning
- Aplikasi Cerita Sekolah Minggu Pada Jemaat Logos Sanggeng Menggunakan Kodular
Dan Yohana Nuranda, Cristian Dwi Saehenda, Lisa Ferdinanda Mena
- Penerapan PCTS Atap di Gedung Fakultas Teknik Universitas Papua Menggunakan Software PV Syst
dan EasySolar
Mikhael Gadi, Arifin A. C. Pakris, Ponglong Suroyo
- Analisis Keandalan Sistem Tenaga Listrik di PT. PLN (Persero) Rayon Fakfak dengan Metode Loss of
Load Probability
Zulfah Rangkai, Adhul Bari Rahma, Yury Nurmaning
- Analisis Komparasi Algoritma Naive Bayes Dan C4.5 Dalam Memprediksikan Kelulusan Mahasiswa (Studi
Kasus: Jurusan ST Teknik Informatika Universitas Papua)
Mikhael Gadi Nabila, Irena P. P. Nabila, Ferdinanda Mena
- Papan mop application based on android using kodular
Jaka P. P. Nabila, An Na. Satrio Pramesa Mangga, Nur Janda
- Rancang Bangun Sistem Administrasi Data Rapid Test Berbasis Web Menggunakan PHP dan MySQL
(Studi Kasus: Papua Medika)
Hidayat Dwi Setiawan, Irena P. P. Nabila, Hidayat F. Fidi
- Analisis of Feasibility for Taxiway Light Case Study in Rendani Airport of Manokwari
Raja H. Tarubakari, Henry A. S. Loranus, Abdul Z. Fakar
- Study on Design of Rooftop On-Grid Solar Power Plant at the Rectorate Building of Papua University
Roy Chady Wokab, Antonius Clara Nabila, Irena Dwi Saehenda

Fakultas Teknik
Universitas Papua

PRINT ISSN 2085-6245

E-ISSN 2963-0533

Arduino Based Automatic Disinfectant Sprayer For New Normal Classroom
Rancang Bangun Aplikasi Resep Kuliner Berbasis Android Menggunakan Kodular
ARCHPELAGO - Augmented Reality (AR) Application Recognition Of Indonesian
National Heroes With Image Tracking Method Based On Android
Applications for Sunday School Stories at the Sanggeng Logos Congregation

Using Kodular

Designing a Rooftop Solar Power Plant at the Faculty of Engineering University of Papua using PVSyst and EasySolar Software

Analysis of Electrical Power System Reliability at PT. PLN (Persero) Rayon Fakfak Using the Loss of Load Probability Method

Comparative Analysis of Naïve Bayes Algorithm and C4.5 in Predicting Student Graduation (Case Study: Department of Informatics Engineering, University of Papua)

Papuan mop application based on android using kodular

Design and Build a Web-Based Rapid Test Data Administration System Using PHP and MySQL (Case Study: Papua Medika Clinic)

Analysis of Feasibility for Taxiway Light (Case Study in Rendani Airport of Manokwari)

Study on Design of Rooftop On-Grid Solar Power Plant at the Rectorate Building of Papua University

— Articles —

Comparative Analysis of Naïve Bayes Algorithm and C4.5 in Predicting Student Graduation (Case Study: Department of Informatics Engineering, University of Papua)

Analisis Komparasi Algoritma Naïve Bayes Dan C4.5 Dalam Memprediksi Kelulusan Mahasiswa (Studi Kasus: Jurusan S1 Teknik Informatika Universitas Papua)

Muhammad Fikri Indriawan, Julius Panda Putra Naibaho; Marlinda Sanglise

11-24

 [pdf \(Bahasa Indonesia\)](#)

Papuan mop application based on android using kodular

Aplikasi mop papua berbasis android dengan menggunakan kodular

Julius Panda Putra Naibaho, Ari Nur Safitri Prameti Ningsih, Nur Jamila

32-43

 [pdf \(Bahasa Indonesia\)](#)

Design and Build a Web-Based Rapid Test Data Administration System Using PHP and MySQL (Case Study: Papua Medika Clinic)

RANCANG BANGUN SISTEM ADMINISTRASI DATA RAPID TEST BERBASIS WEB MENGGUNAKAN PHP DAN MySQL (STUDI KASUS : KLINIK PAPUA MEDIKA)

Prasetya Dwi Syahputra, Julius Panda Putra Naibaho, Fridolin F. Paiki

58-72

 [pdf \(Bahasa Indonesia\)](#)

Analysis of Feasibility for Taxiway Light (Case Study in Rendani Airport of Manokwari)

Analisa Kelayakan Taxiway Light (Studi Kasus Bandara Rendani Manokwari)

Raja H. Tampubolon, Henny A. B. Lesnussa, Abdul Z. Patiran

 pdf (Bahasa Indonesia)

Study on Design of Rooftop On-Grid Solar Power Plant at the Rectorate Building of Papua University

Studi Perancangan Pembangkit Listrik Tenaga Surya (PLTS) Rooftop On-Grid di Gedung Rektorat Universitas Papua

Roy Charly Workala, Antonius Duma Palintin, Jamius Bin Stepanus

97-106

 pdf (Bahasa Indonesia)

Arduino Based Automatic Disinfectant Sprayer For New Normal Classroom

Penyemprot Disinfektan Otomatis Berbasis Arduino Untuk Ruang Kelas Era New Normal

Yanty Rumengan, Abdul Zaid Patiran, Ernes Bevin

1-10

 pdf

Rancang Bangun Aplikasi Resep Kuliner Berbasis Android Menggunakan Kodular

Design And Build Application Of Culinary Recipes Based On Android Using Kodular

Fitri Eka Budi Suciati; Julius Panda Putra Naibaho, Lion Ferdinand Marini

25-31

 pdf (Bahasa Indonesia)

ARCHIPELAGO - Augmented Reality (AR) Application Recognition Of Indonesian National Heroes With Image Tracking Method Based On Android

ARCHIPELAGO - Aplikasi Augmented Reality (AR) Pengenalan Tokoh - Tokoh Pahlawan Nasional Indonesia Dengan Metode Image Tracking Berbasis Android

Yohanes Alfian Richiansyah, Julius Panda Putra Naibaho, Parma Hadi Rantelinggi

44-57

 pdf (Bahasa Indonesia)

Applications for Sunday School Stories at the Sanggeng Logos Congregation Using Kodular

Aplikasi Cerita Sekolah Minggu Pada Jemaat Logos Sanggeng Menggunakan Kodular

 [pdf \(Bahasa Indonesia\)](#)

Designing a Rooftop Solar Power Plant at the Faculty of Engineering University of Papua using PVSyst and EasySolar Software

Perancangan PLTS Atap di Gedung Fakultas Teknik Universitas Papua Menggunakan Software PVSyst dan Easysolar

Martinus Kual, Antonius D. Palintin, Pandung Sarungallo

89-96

 [pdf \(Bahasa Indonesia\)](#)

Analysis of Electrical Power System Reliability at PT. PLN (Persero) Rayon Fakfak Using the Loss of Load Probability Method

Analisis Keandalan Sistem Tenaga Listrik di PT. PLN (Persero) Rayon Fakfak dengan Metode Loss of Load Probability

Zulfikar Bungin, Adelhard Beni Rehiara, Yanty Rumengan

107-113

 [pdf \(Bahasa Indonesia\)](#)

Current Issue

ATOM 1.0

RSS 2.0

RSS 1.0

Language

[Bahasa Indonesia](#)

English

Information

[For Readers](#)

[For Authors](#)

[For Librarians](#)

**JISTECH E-JOURNAL FAKULTAS TEKNIK
UNIVERSITAS PAPUA**

PRINT ISSN 2085-6245

E-ISSN 2963-0533 (media online)

Jl. Gunung Salju, Amban.

Manokwari, Papua Barat. 98314

E-mail: istech@unipa.ac.id

<https://jurnal.unipa.ac.id/index.php/istech>

Platform &
workflow by
OJS / PKP



This work is licensed under a [Creative Commons Attribution 4.0 International License](https://creativecommons.org/licenses/by/4.0/).

Arduino Based Automatic Disinfectant Sprayer For New Normal Classroom (Penyemprot Disinfektan Otomatis Berbasis Arduino Untuk Ruang Kelas Era *New Normal*)

Yanty Rumengan¹, Abdul Zaid Patiran² and Ernes Bevin³
^{1,2,3} *Electrical Engineering Department, Engineering Faculty, Papua University, Indonesia*

Info Artikel

Riwayat Artikel:

Diterima 12 09,2022
Direvisi 14 09,2022
Disetujui 20 09,2022

Kata Kunci:

*Disinfectant Sprayer
Arduino
New Normal
infectious disease*

ABSTRACT

Covid-19 is an infectious disease that attacks the respiratory system caused by the corona virus found in 2019. It spread all over the world and declare as a pandemic by the WHO. Thus, also affect Indonesia. One way to prevent the spread of Covid-19, especially in the closed public area, is by spraying disinfectant. This study aims to design an automatic sprayer that could prevent Covid-19 spread in the classroom and used automatically. The system using an Arduino UNO microcontroller. The disinfectant sprayer design to work automatic that will reduce the need for an operator. The tool works well as the system can automatically spray disinfectant to the classroom. Moreover, the automatic sprayer arranges according to the class timetable. However, the system cannot work outside the class timetable, such as additional classes needed.

ABSTRAK (10 PT)

Covid-19 adalah penyakit menular yang menyerang sistem pernapasan yang disebabkan oleh virus corona yang ditemukan pada tahun 2019. Salah satu cara untuk mencegah penyebaran Covid-19 terutama di area publik yang tertutup, yaitu dengan penyemprotan disinfektan. Penelitian ini bertujuan untuk merancang dan membuat alat penyemprot otomatis yang dapat mencegah penyebaran Covid-19 di dalam kelas dan digunakan secara otomatis. Sistem menggunakan mikrokontroler Arduino UNO. Desain penyemprot disinfektan bekerja otomatis yang akan mengurangi pekerjaan operator. Alat berfungsi dengan baik sejalan dengan sistem yang dapat secara otomatis menyemprotkan disinfektan ke ruang kelas. Selain itu, penyemprotan otomatis diatur sesuai dengan jadwal kelas. Namun, sistem tidak dapat bekerja di luar jadwal kelas, seperti jika ada kelas tambahan yang diperlukan.

Koresponden:

Yanty Rumengan
Faculty of Engineering, Electrical Engineering Department, Papua University, Indonesia
Jl. Gunung Salju, Amban, Manokwari, West Papua, Indonesia
Email: y.rumengan@unipa.ac.id

1. INTRODUCTION

The Covid-19 pandemic affects many countries as well as Indonesia. In the pandemic time, people tried to create tools that can cut the spreading of the disease any further while thriving for living. Healthy lifestyles and technological innovation, especially in public facilities will prevent the spread of the disease. In the open area, one way to prevent the spread of the virus is by spray disinfectant, either continuously or on schedule. The problem that may arise will be the efficiency of spraying due to human resources, the large area to cover, and the population who take the service¹. Optimization disinfectant spraying can reach by automatization of the spray system.

In the "New Normal" which means normal activities in pandemic time, people need to work outside and other activities. In term of study activities especially in the classroom, a system that can effectively spray disinfectant to the classroom automatically need to be made. This study aims to design a system that can spray disinfectant automatically based on Arduino UNO. The device will spray the classroom automatically following the class timetable. The problems that need to be solved are how to design an automatic disinfectant sprayer based on Arduino UNO, how it will work, and how much it will cost. This study will not include how to control the water pump, what kind of disinfectant is applied, how to use the Arduino UNO, and unscheduled class spray.

2. Research procedure

The research procedure showed in flowchart as follow:

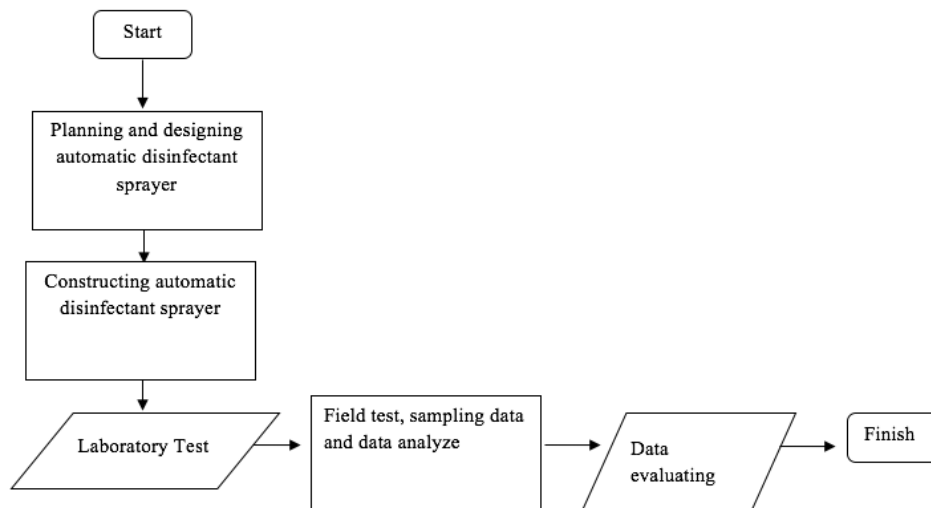


FIGURE 1. Research Procedure Flowchart

The first step is planning and designing the automatic disinfectant sprayer by reading related articles and journals. The second is constructing the tool. The third is a laboratory test before conducting a field test. The field test is to collect and analyze data. The last is evaluating the data acquired. The data taken are quantitative data using primary sources while conducting field test.

The automatic disinfectant sprayer system will be attached to the ceiling of the classroom. To assembly the system, additional tools are needed, such as a glue gun, cable ties, cable clamp, screwdriver, and scissors¹. The automatization will need an Arduino UNO microcontroller and a classroom schedule to arrange the spraying time accordingly³. The water control from the tank to the misting system manage by relay module^{4,5}. The design showed below:

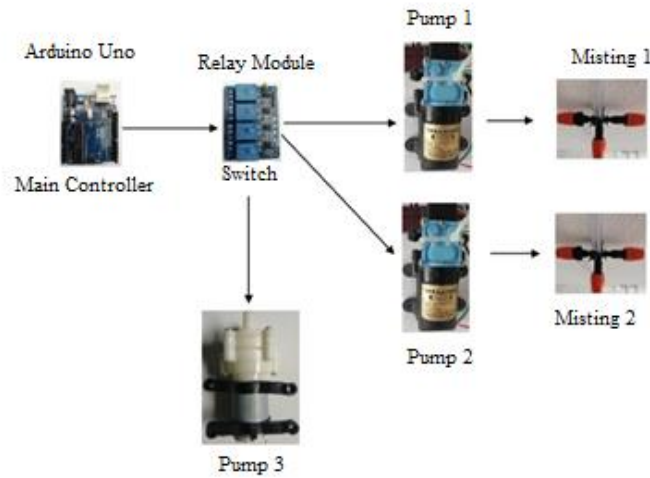


FIGURE 2. System Design

The list of tools and spareparts shows in TABLE 1.

TABLE 1. Tools and spareparts

Name	Amount	Unit
Arduino UNOR3 Atmega328	1	piece
Relay module	1	piece
Sinleader 12V DC Pump	2	piece
5/16 water pass hose	23	meter
RTC (<i>Real Time Clock</i>) DS3231	1	piece
30 cm Female to Female Jumper Cable	25	piece
30 cm Male to Female Jumper Cable	25	piece
30 cm Male to Male Jumper Cable	25	piece
Multimeter	1	piece
Bottle	1	piece
Misting orange	10	piece
Cable ties	3	bundle
Disinfectant	30	liter
Adaptor 12V 5A	2	piece
Adaptor 5V 1A	1	piece

The tools specification as follow:

1. Arduino type UNO (main controller)

TABLE 2. Specification of Arduino UNO

Specification	Value
Voltage	5V
Recommended input voltage	7-12V
Input voltage range	6-20V
Pin digital I/O	14 (where 6 pin output PWM)
Pin analog input	6
DC current at I/O pin	40 mA
DC current at pin	3.3V 50mA
Flash memory	32KB (ATmega328), at 0,5 KB use by bootloader
SRAM	2 KB (ATmega328)
EEPROM	1 KB (ATmega328)
Clock	16MHz

2. Relay module (as a switch)

TABLE 3. Specification of relay module

Specification	Value
Input relay	5V DC
Maximum load	250VAC/10A 30VDC/10A
Opto-coupler isolation for board microcontroller protection of AC current	-
Indicator LED	-
Terminal Block	-
Maximal 4 channel output	10A

3. SINLEADER DC water pump (sprayer)

TABLE 4. Specification of water pump

Specification	Value
Voltage	12V Nom.(9-14.4V)
Current	4.0A
Flow	6.0 LPM
Pressure	130 Psi (8.3 Bar Cut off)

4. Orange type misting (range ± 1 meter depend on water pressure)**TABLE 5.** Specification of misting

Specification	Value
Type	Sprinklers
Color	Orange/Black
Capacity	8-10 L/hour
Spray diameter	0,7-0,9 meter
Conectore size	6 mm

5. 1.5L tank to store the disinfectant fluid

3. RESULT AND DISCUSSION**System design**

The system design can be divided into two parts; the first is a hardware design and the second is software design. Hardware design is electronics design as well as spare parts assembly. The electronics design of the system adjusts to the input requirement of each electronic component. FIGURE 3 shows the overall configuration of the system which connected the Arduino micro controller to RTC. FIGURE 4 shows the system installation diagram within the classroom with the assumption of 10.3m x 7.8m space.

The software used for Arduino UNO is Arduino IDE software. This software uses the C programming language. This Arduino listing program known as sketch, “void setup()” {} and “void loop()”. {} is a function of each sketch⁶. To design the Arduino program, its start with installing the pins for the system. FIGURE 5 shows a part of the program.

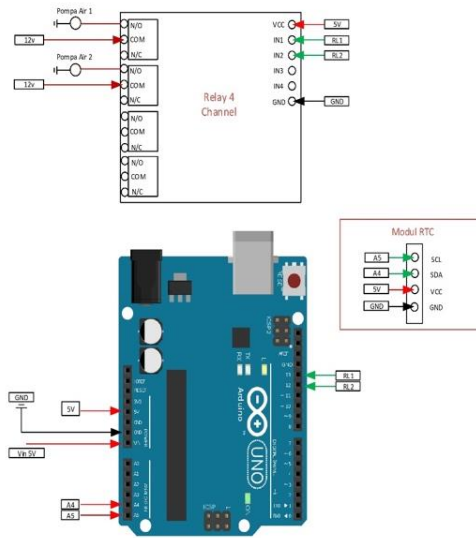


FIGURE 3. Electronic circuit of the system

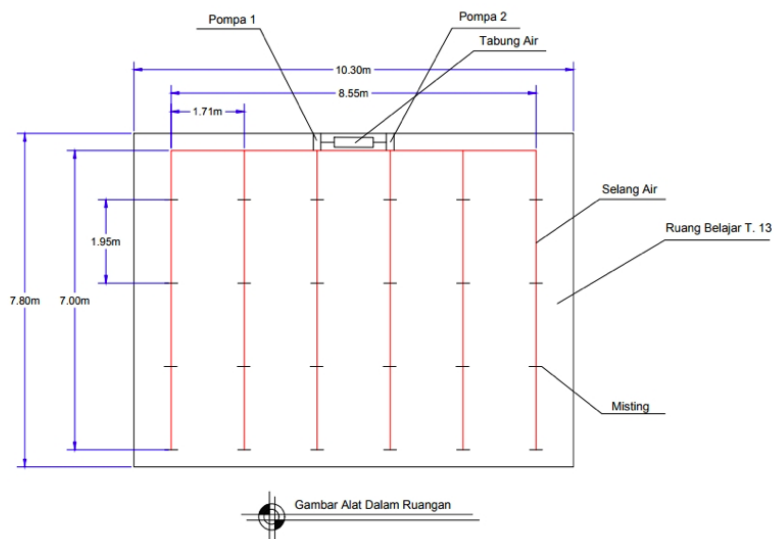



FIGURE 4. System installation



```

sketch_rtctnet | Arduino 1.8.13
File Edit Sketch Tools Help

sketch_rtctnet$
#include "RTClib.h"
RTC_DS3231 rtc;
char dataHari[7][12] = {"Minggu", "Senin", "Selasa", "Rabu", "Kamis", "Jumat", "Sabtu"};
String hari;
int tanggal, bulan, tahun, jam, menit, detik;
float suhu;

void setup () {
  Serial.begin(9600);
  pinMode(11,OUTPUT);
  digitalWrite(11,HIGH);
  digitalWrite(12,HIGH);
  if (! rtc.begin()) {
    Serial.println("RTC Tidak Ditemukan");
    Serial.flush();
    abort();
  }

  //Atur Waktu
  //rtc.adjust(DateTime(F(__DATE__), F(__TIME__)));
  //rtc.adjust(DateTime(2021, 3, 4, 6, 50, 0));
}

void loop () {
  DateTime now = rtc.now();
  hari = dataHari[now.dayOfTheWeek()];
  tanggal = now.day(), DEC;
  bulan = now.month(), DEC;
  tahun = now.year(), DEC;
}

```

FIGURE 5. Arduino IDE Program

System operation

The system will automatically work according to the class timetable². For example, the first class on Monday (Senin in Bahasa) is "Sistem Kontrol" for the third-semester student that will perform at 07.30 – 09.10 Eastern Indonesia Time (EIT), the system will spray automatically 30 minutes before the class started (07.00 EIT). The 30 minutes' time window can be set by the user according to the class timetable. The system will spray the classroom for 10 seconds. The rules will work for the other class on the day, but not for an unscheduled class. Although the system works automatically while spraying disinfectant, however, to refill the disinfectant tank still needs to do manually. The flowchart that use to explain the system workflow shows in FIGURE 6.

System test

The test that runs aims to acquired data and the error rate of the system¹. The test conduct on two functions, functional test and performance test. The functionality test completes by test the characteristics and functions of each part of the system. The test is to understand whether or not the system works properly. While the functionality test identifying whether or not the system works as it intended to.

The functional test conducts on the system and parts such as a microcontroller, relay, RTC, water pump, and power supply. The microcontroller used is Arduino UNO that tested with input the programmed codes to Arduino IDE software. The relay tested using the microcontroller with a digital input signal that works as a switch. At the test, the input signal is HIGH then the relay on N/O is connected and on N/C disconnected. On the other hand, while the input signal is LOW then the relay on N/O is disconnected and on N/C connected. This condition explained that the system works properly.

The RTC asses by input code to Arduino IDE and checks it can be read by the RTC. The water pump test achieves by using a 220V power supply. And last the power supply test accomplish by using a 12V 5A adaptor.

The performance test executes by operating the system and each part according to its purpose. The test performs at the controller part and management part. The test performs to make sure that the system can operate well. The tables below show the test result.

TABLE 6. System test

DC voltage on RTC	DC voltage on Relay	DC voltage on Arduino	Total Power	Status
4.82 V	3.82 V	4.95 V	1,08 Watt	Standby
5.06 V	4.55 V	5.10 V	1.19 Watt	Operate

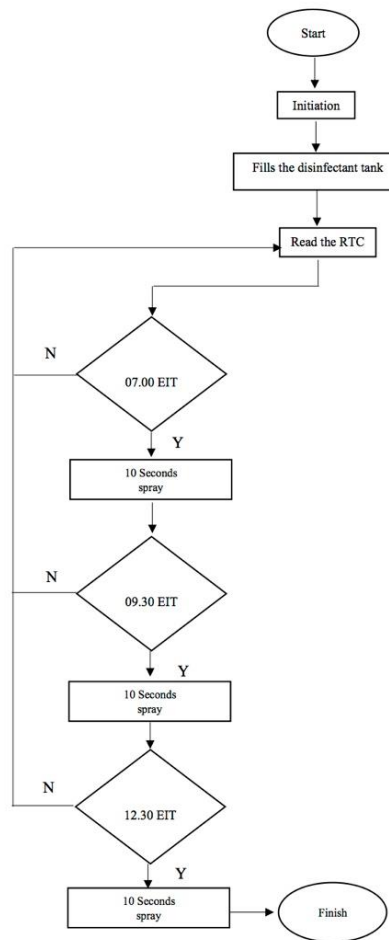


FIGURE 6. System Program Flowchart

TABLE 7. Water pump test on standby condition

DC voltage on Pump 1	DC voltage on Pump 2	Total Power	Status
0.78 A	0.78A	18.72 Watt	Standby
2.36 A	2.40 A	57.12 Watt	Operate

TABLE 8. Current on the system

DC current on RTC	DC current on Relay	DC current on Arduino
0.54 mA	123.4 mA	117.3 mA

Block diagram

Block diagram of the automatic disinfectant sprayer consist of power supply block, input block, process block, and output block show in FIGURE 7⁵.

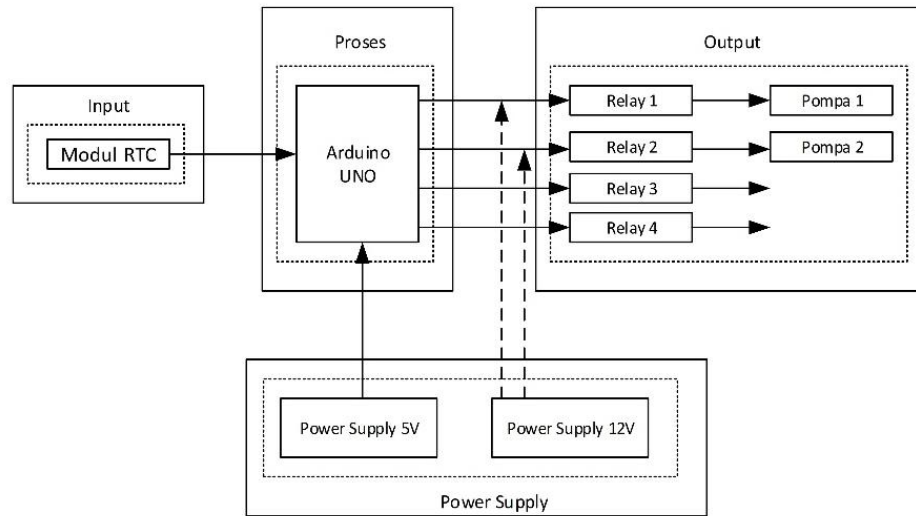


FIGURE 7. Block Diagram Circuit

The Power supply block is a block that have two adaptors which are 12V 5A adaptor that function as main power supply and 5V adaptor as Arduino UNO power supply. The input block consists of RTC module as time reader. The process block is the brain of the system that used Arduino UNO as its component. The output block is the controlled parts that consist of 4 relay channel function as water pump switch.

System implementation

The prototype consists of parts as shown below, such as Arduino UNO and its software, relay, water pump, misting, water pass hose, power supply, and RTC.

1. Arduino UNO as controller



3. Water pump



2. Relay as switch



4. Misting



5. Water pass hose



8. RTC

6. Power supply



7. Arduino IDE software

The system network in detail shows at FIGURE 8.

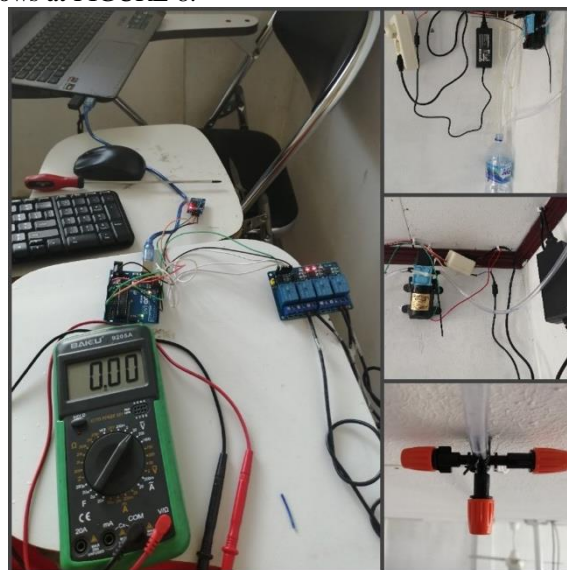


FIGURE 8. Detailed Overall System

System assembly process

The assembly process of the system following several steps. The first step is preparing tools and spare parts. The process is according to the planning. The second step is constructing the hardware. The third is implementing the software into the system. And the last is testing the system, hardware, and software.

The total expenditure to build the system is Rp. 1,384,225.-. The price is affordable for the system that can accommodate a lot of people. The budget showed in TABLE 9 below.

TABLE 9. Budget expenditure

Parts	Quantity	Price
Arduino UNO R3 Atmega328	1	Rp. 75,000.-
RTC (<i>Real Time Clock</i>) DS3231	1	Rp. 22,500.-
30 cm Male to Male Jumper Cable	25	Rp. 11,875.-
30 cm Male to Female Jumper Cable	25	Rp. 11,875.-
30 cm Female to Female Jumper Cable	25	Rp. 11,875.-
Sinleader 12V DC Pump	2	Rp. 264,100.-
Relay module	1	Rp. 43,000.-
Misting orange @Rp. 4,000.-	150	Rp. 600,000.-
Water pass hose	23 meter	Rp. 69,000.-
Cable	15 meter	Rp. 75,000
Adaptor	2	Rp. 200,000.-
Total budget		Rp. 1,384,225.-

System operation

The automatic disinfectant sprayer operates by doing protocols. The first protocol is to make sure the system connects to 220V AC grid lines before turn on the system. Then, input the class timetable into the system. After that, the system will work as programmed. To turn off the system, unplug the power supply cord that connects to the 220V AC network.

4. CONCLUSIONS

The design and assembly of automatic disinfectant sprayer have succeeded its purpose in 10.3 m x 7.8 m classroom. The sprayers outlet arranges at 30 places with five misting for each point. The spraying process works perfectly according to the class timetable programmed on the Arduino UNO microcontroller. The total budget for the system is affordable, thus applicable to many classrooms.

5. REFERENCES

1. A. N. Trisetyanto, *Rancang Bangun Alat Penyemprotan Disinfektan Otomatis untuk mencegah Penyebaran Virus Corona* (unpublished, Universitas IVET, Semarang), 2015.
2. F. R. Seke, *Sistem Kontrol Otomatis Misting Antiseptik Berbasis Microcontroller Untuk Meminimalisir Penyebaran Covid-19* (unpublished, Universitas Negeri Manado, Manado), 2020.
3. M. Novaria, *Rancang Bangun Alat Anti Kebisingan Suara Guna Mendukung Etika Berkunjung Ke Rumah Sakit Berbasis Arduino UNO* (unpublished, Politeknik Negeri Sriwijaya, Palembang), 2017.
4. M. Risal, *Sistem Kontrol Sirkulasi Air Dan Pemberian Pakan Pada Akuarium Ikan Hias* (unpublished., STMIK Handayani, Makassar), 2017.
5. M. Saleh & M. Haryanti, *Rancang Bangun Sistem Keamanan Rumah Menggunakan Relay* (unpublished., Universitas Suryadarma, Jakarta), 2017.
6. Zulkarnaen, *Smart Sprayer Disinsfektan Berbasis Mikrokontroler Atmega328* (unpublished, STMIK Syaikh Zainuddin NW, Anjani NTB), 2020.